

auto electrical parts

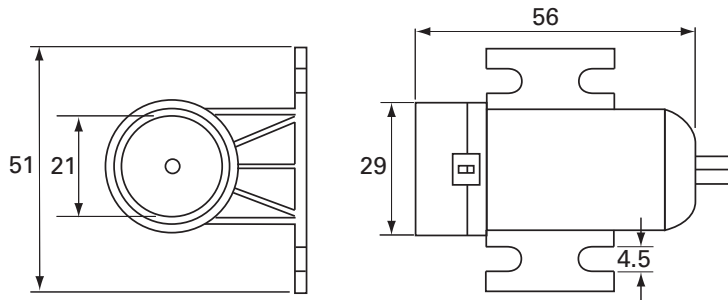
Technical Information Sheet

Part No. 0-601-11

Power socket with cover and bracket. 100mm flying leads, 15 amps maximum.



Technical Drawing (not to scale)



Specification

Type	Power socket with cover and bracket with 100mm flying leads
Voltage	12/24 volt
Maximum current	15 amps
Anti cover material	PVC
Housing	ABS
Weight	20g
Dimensions	See diagram

The information contained in this document is correct to the best of our knowledge at the time of printing. However, specifications may change at any time without notice.